

FAT-8B Fiber Access Terminal-8 Cores

Description

FAT-8B fiber access termination box is able to hold up to 8 subscribers. It is used as a termination point for the feeder cable to connect with drop cable in FTTx network system. It integrates fiber splicing, splitting, distribution, storage and cable connection in one solid protection box.

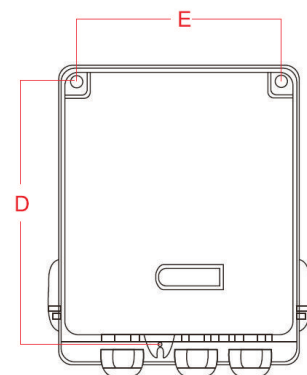
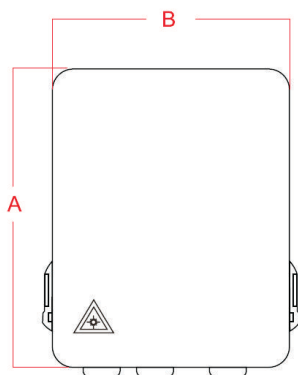
Features

- Water-proof design with IP-66 Protection level.
- Integrated with splice cassette and cable management rods.
- Manage fibers in a reasonable fiber radius condition.
- Easy to maintain and extend the capacity.
- Fiber bend radius control more than 40mm.
- Suitable for the fusion splice or mechanical splice.
- 1*8 Splitter can be installed as an option.
- Efficient cable management.
- 3 ports cable entrance for feeder cable and drop cable.



Configuration

Material	Size	Max Capacity			Installation size	Weight	Color
		SC	LC	PLC			
PC+ABS	A*B*C(mm) 199*160*46	8 Ports	16 Ports	1x8(SC)	D*E(mm) 173*136	1.2kg	Light Gray



Standard Accessories

Splice cassette and cable management tool, installation nuts and bolts, protection sleeves, hose clamp, rubber seal for cable entrance.

Optional Accessories

Pole ring, Extra lock and key